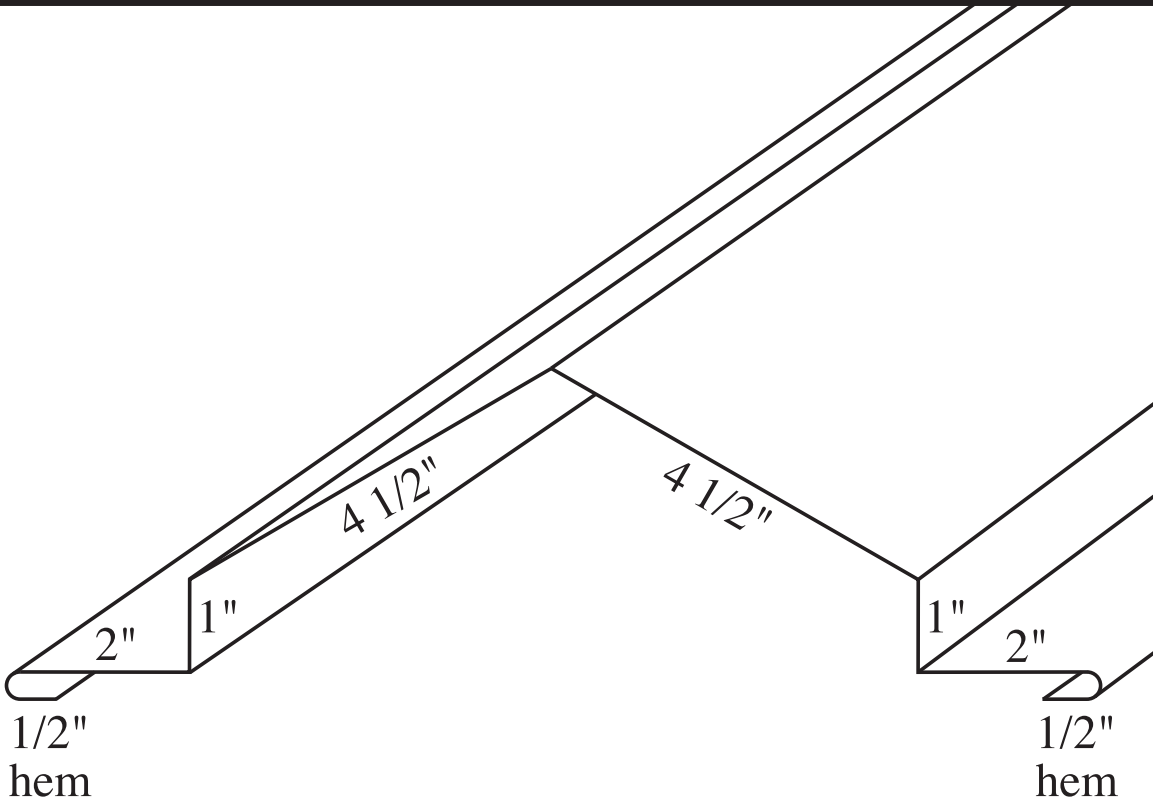
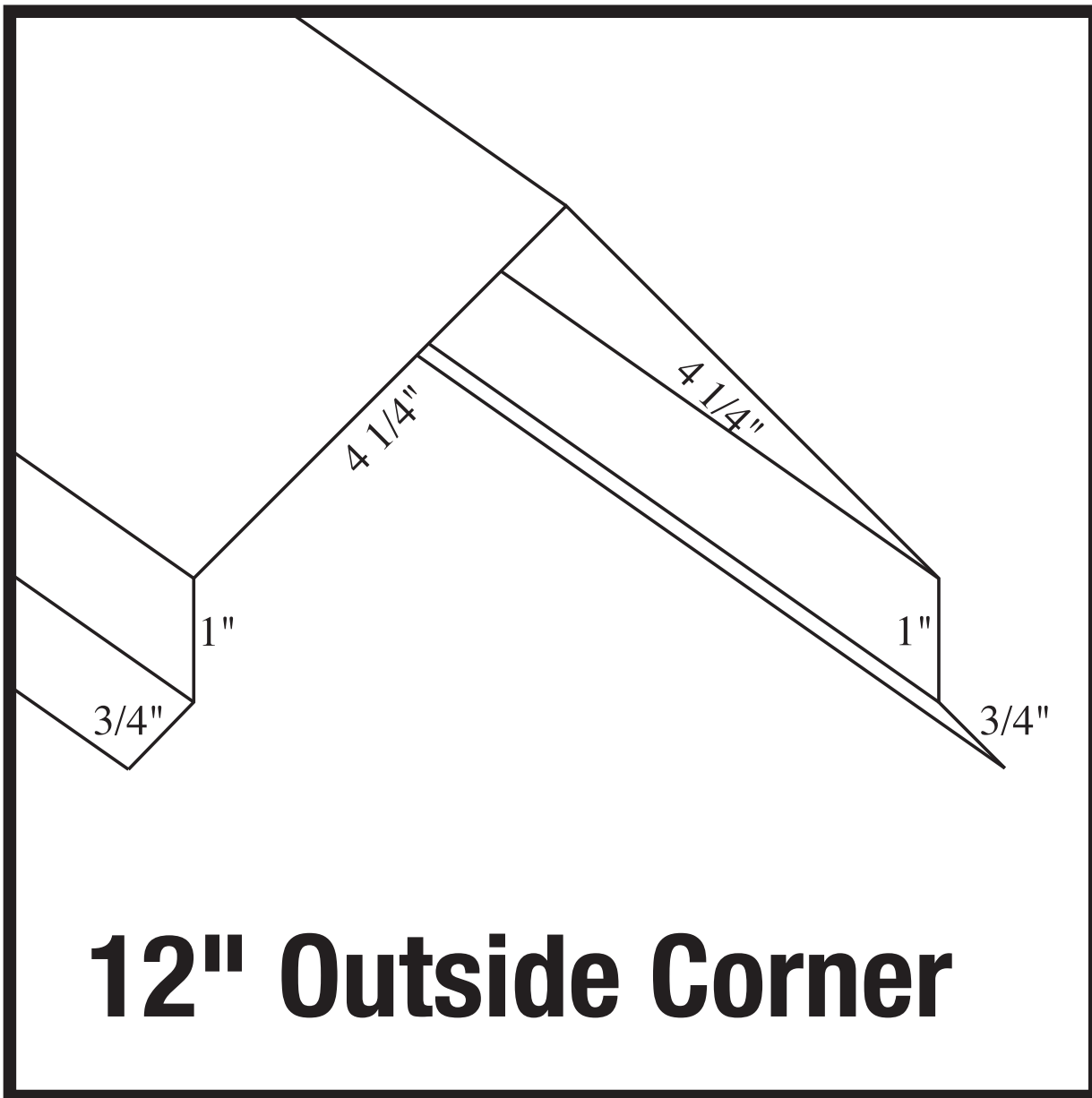


# Standard 13" Ridgecap



# Commercial Vented 16" Ridgecap



3/4"

1"

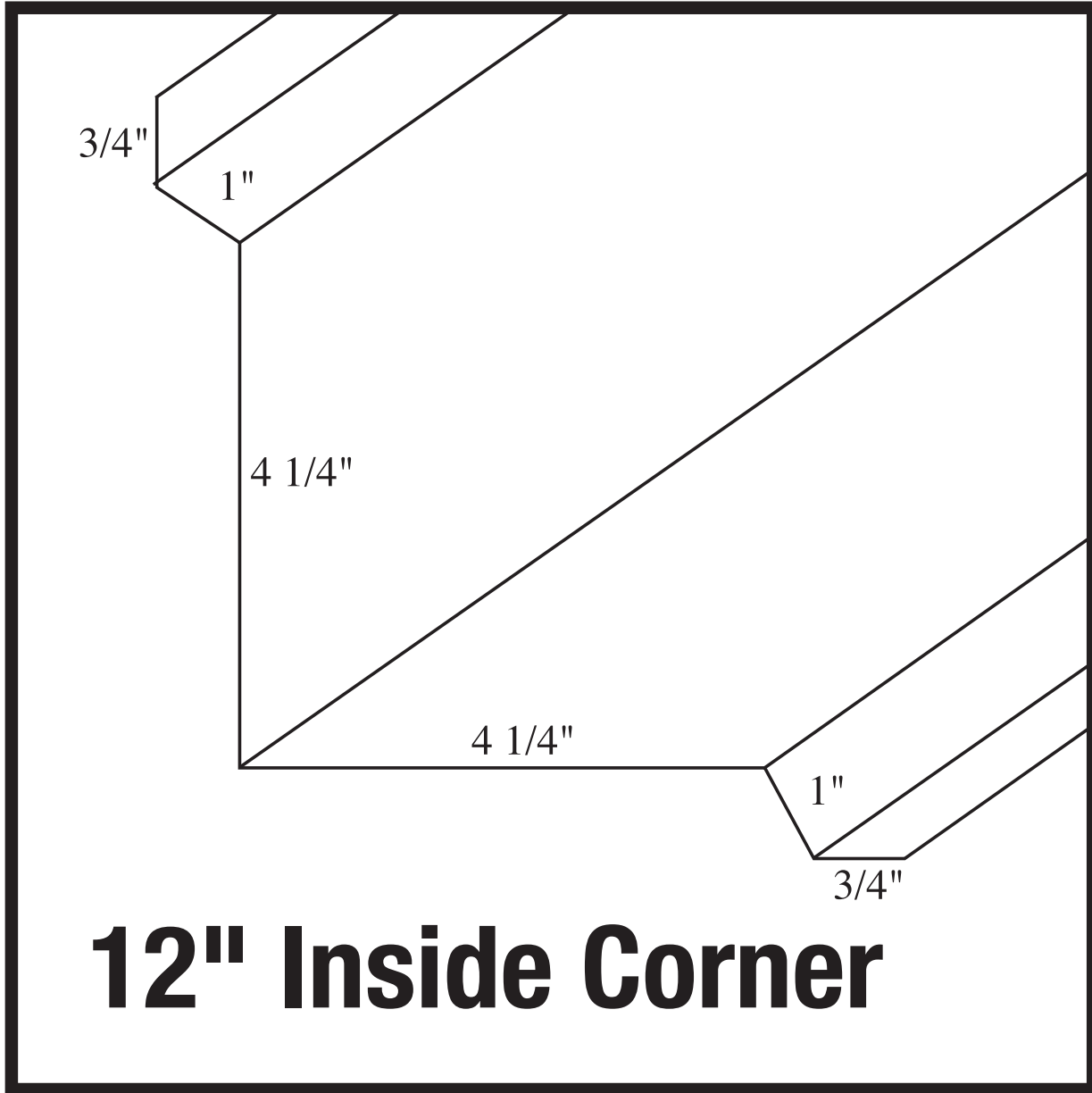
4 1/4"

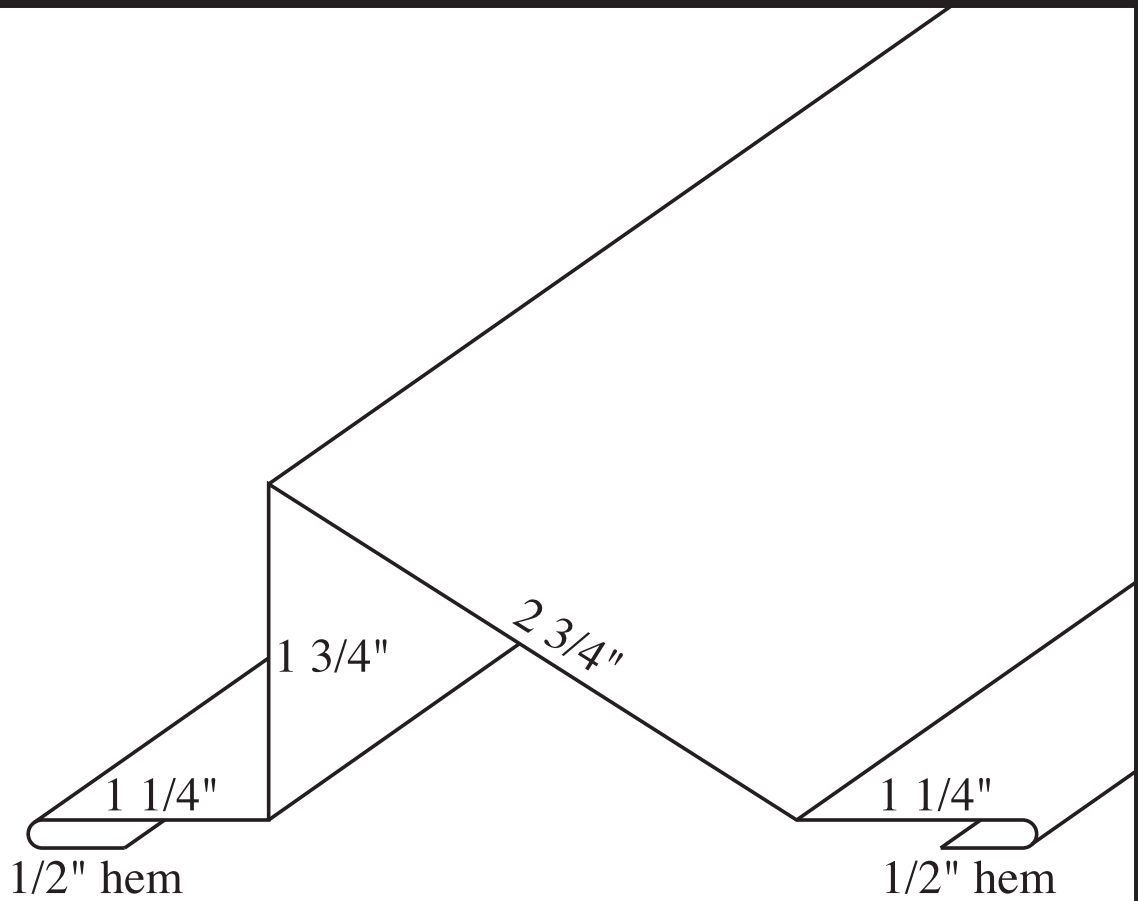
4 1/4"

1"

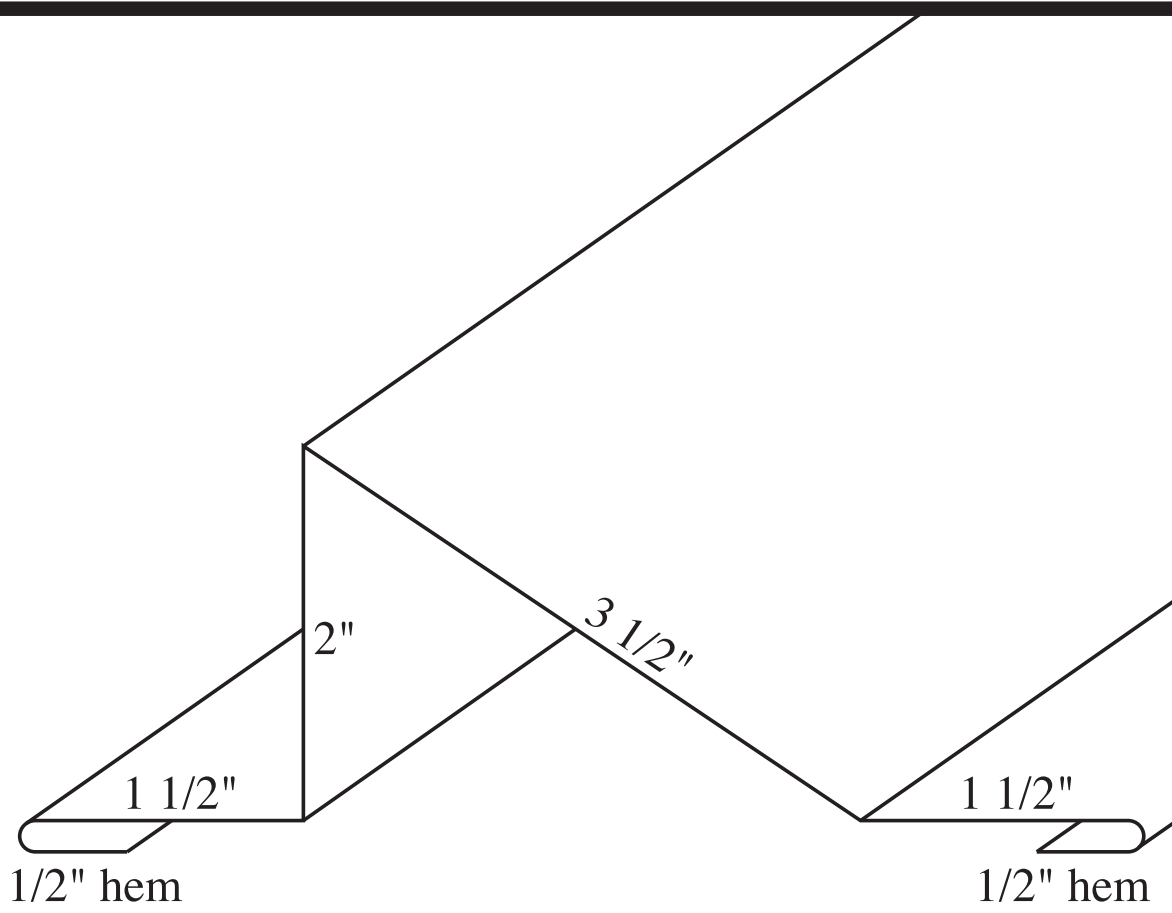
3/4"

**12" Inside Corner**

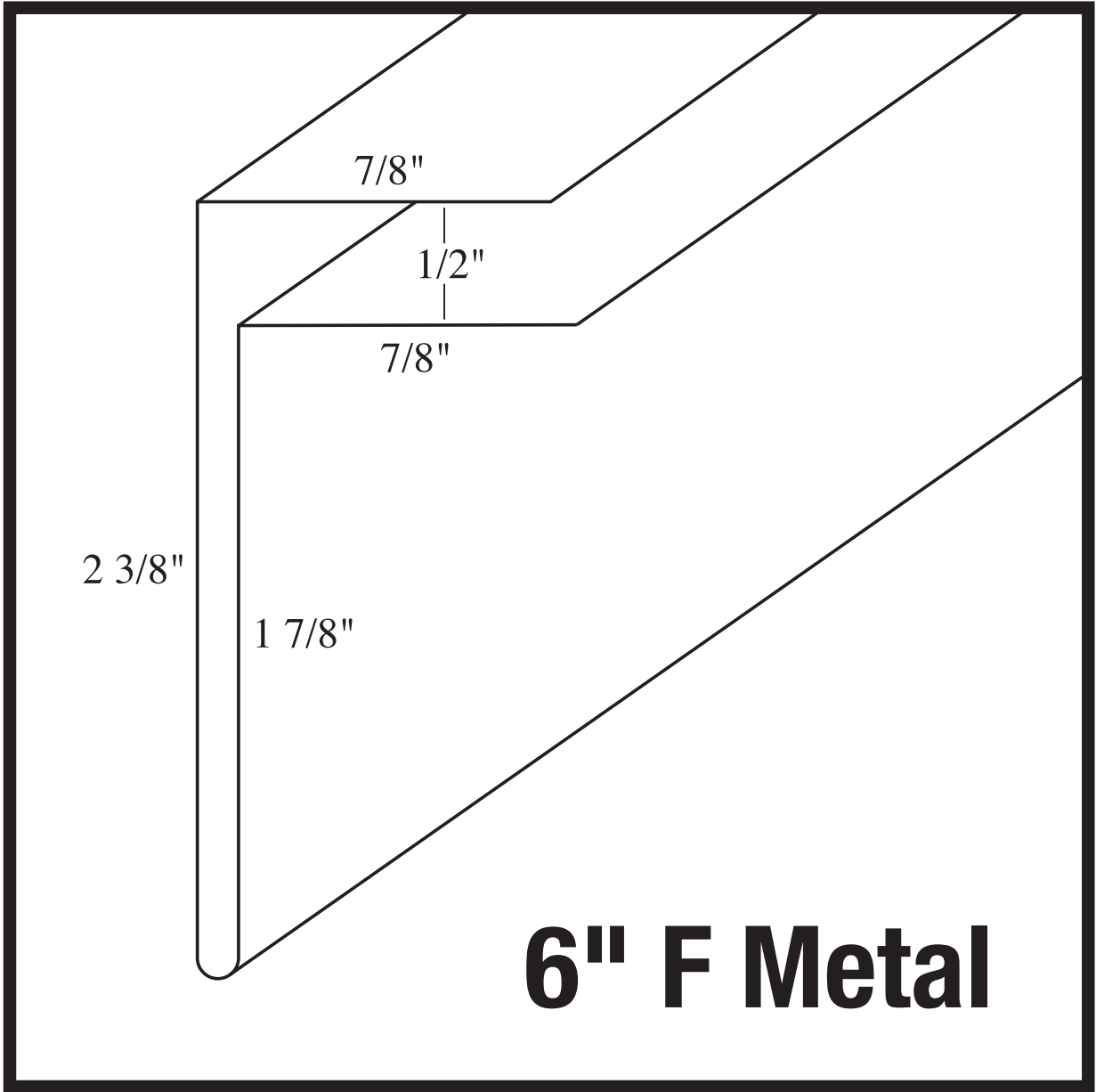


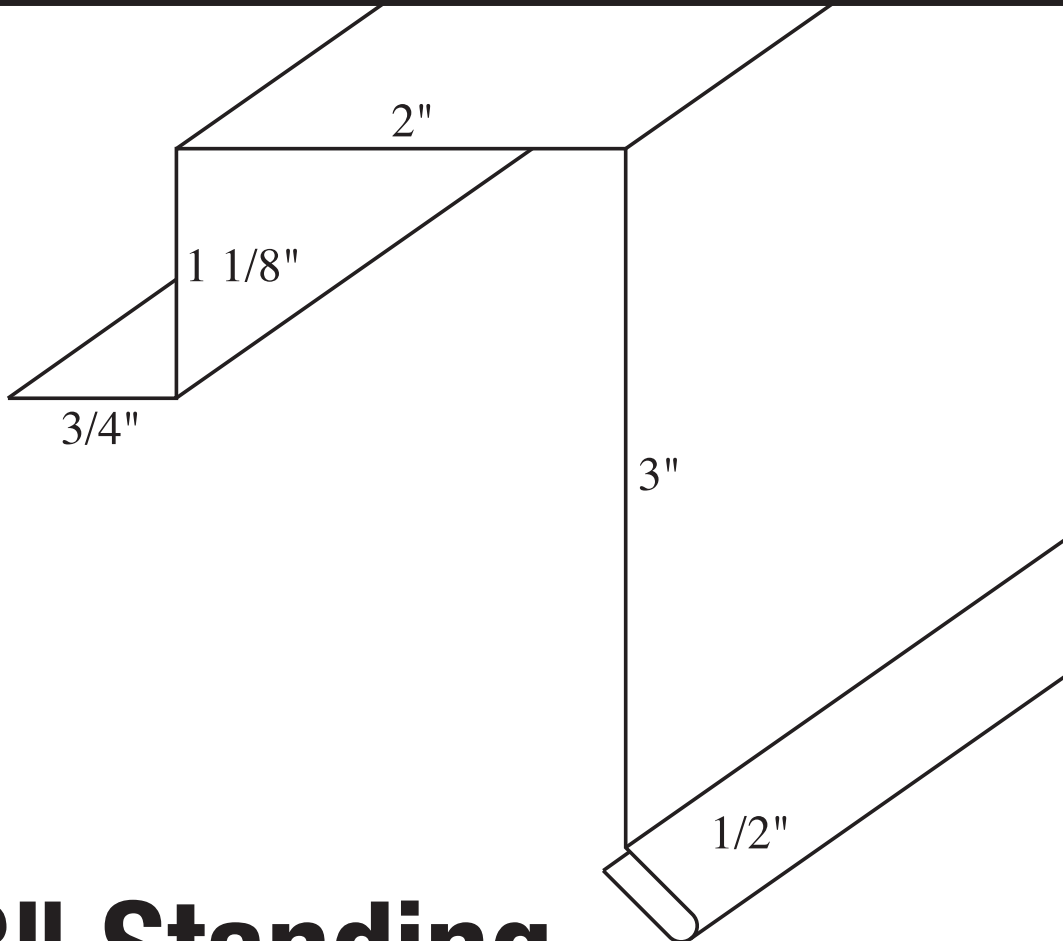


**8" Small Snowbrake**



# 10" Large Snowbrake

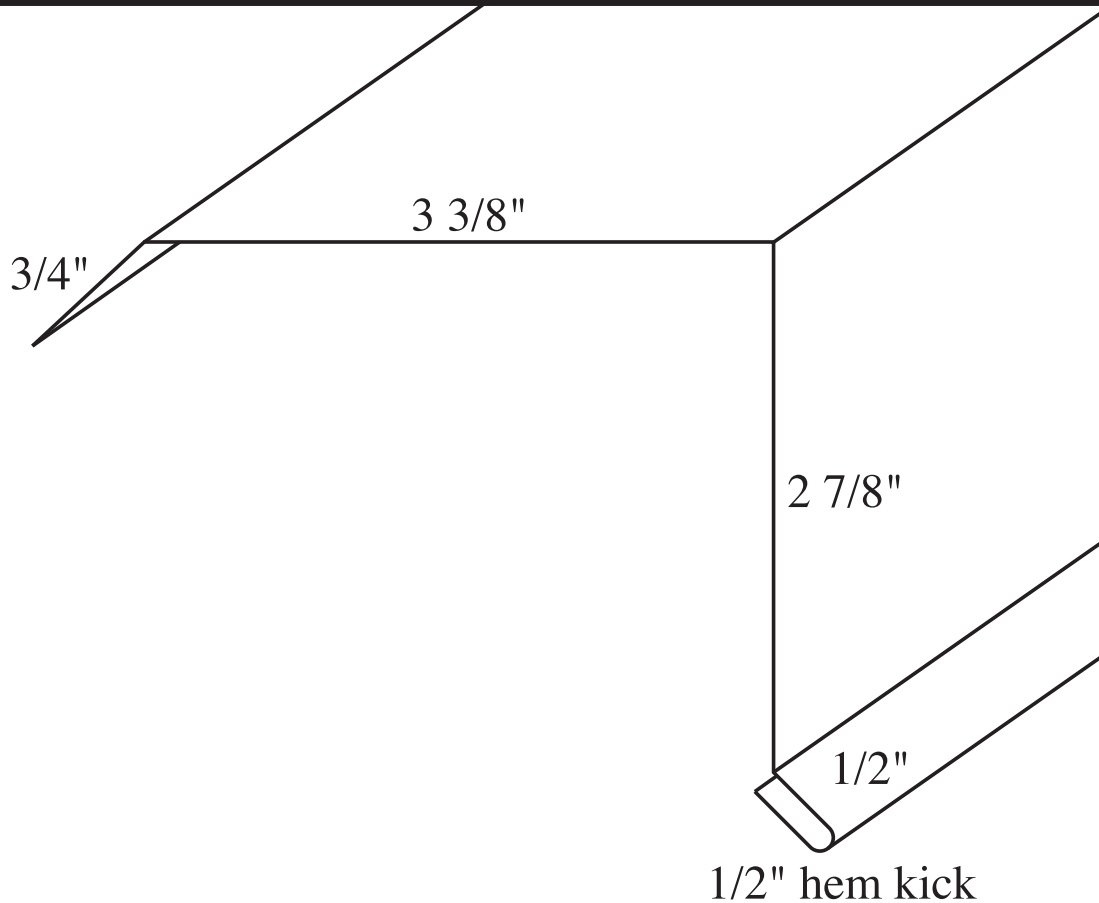




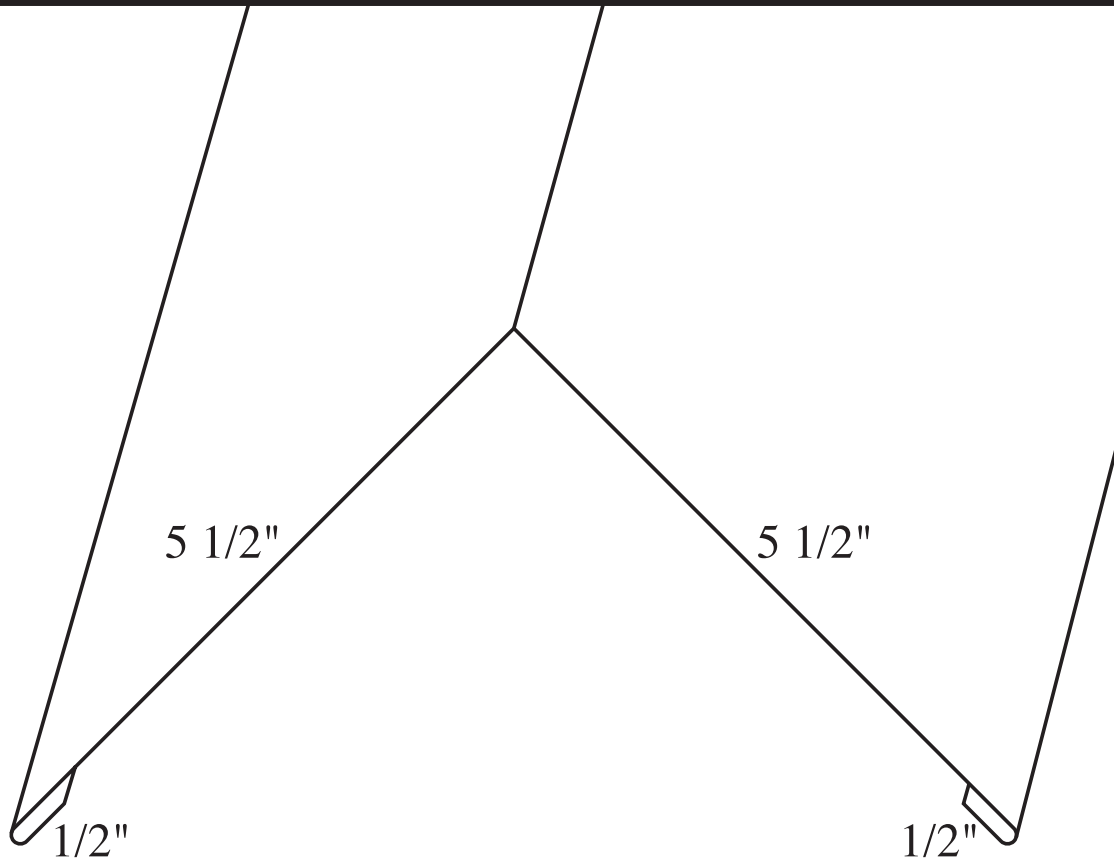
1/2" hem kick

# 8" Standing Seam Gable

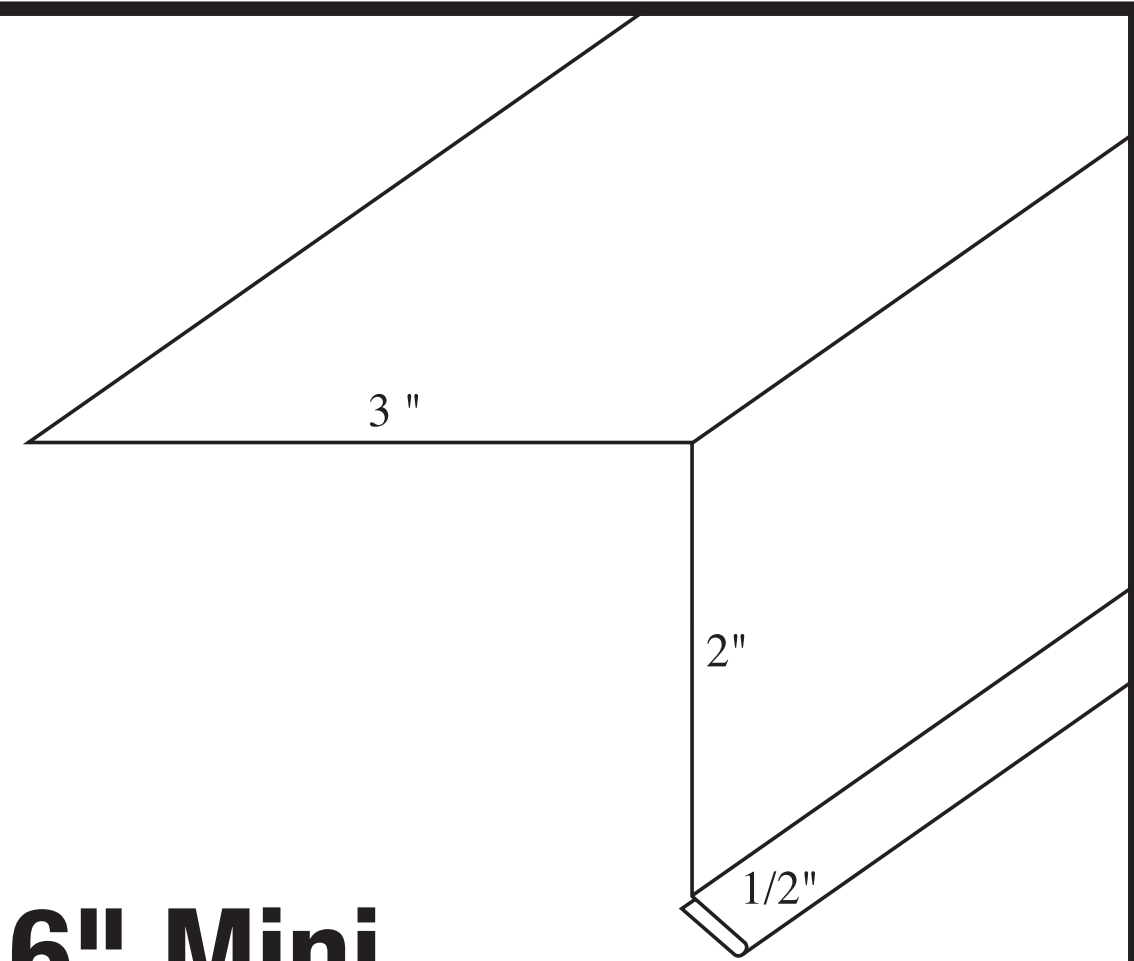




# 8" Corrugated Gable

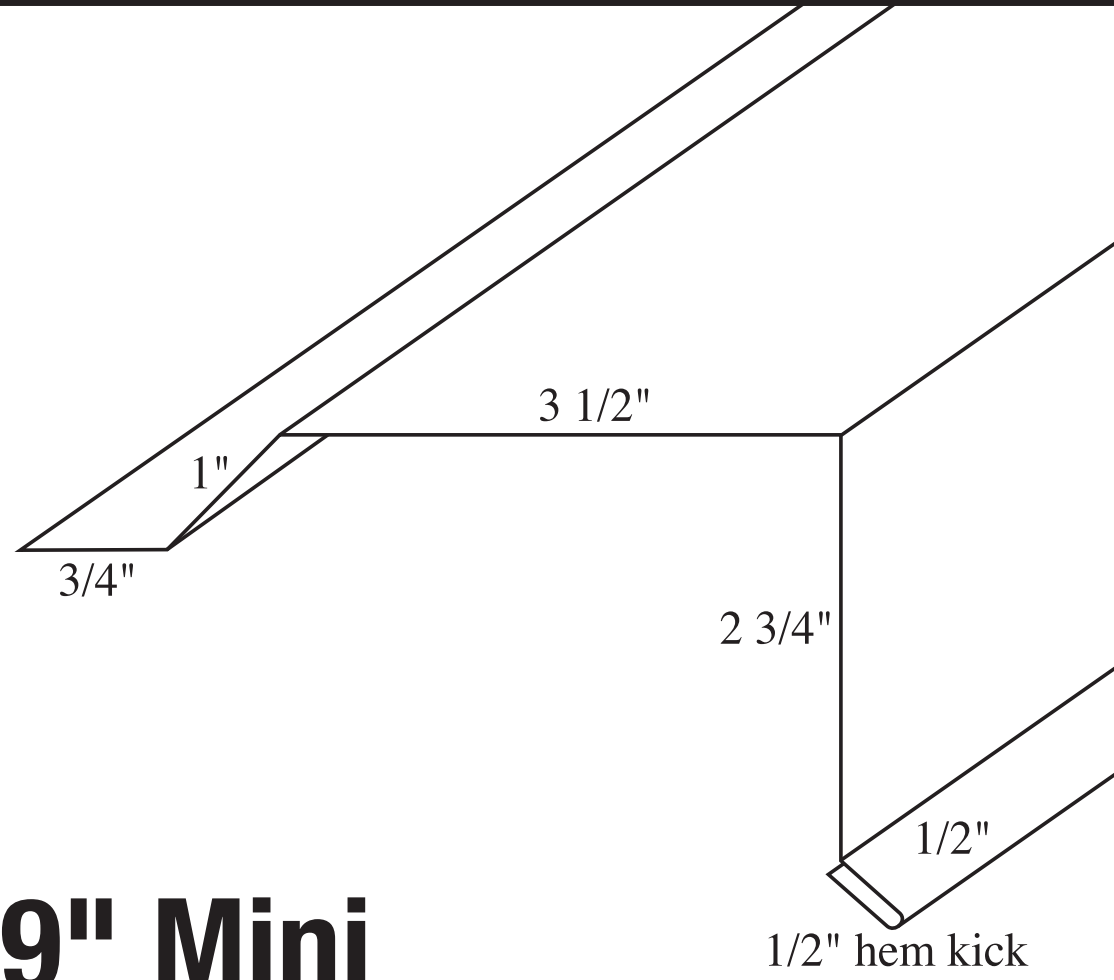


**12" Hip Ridge**



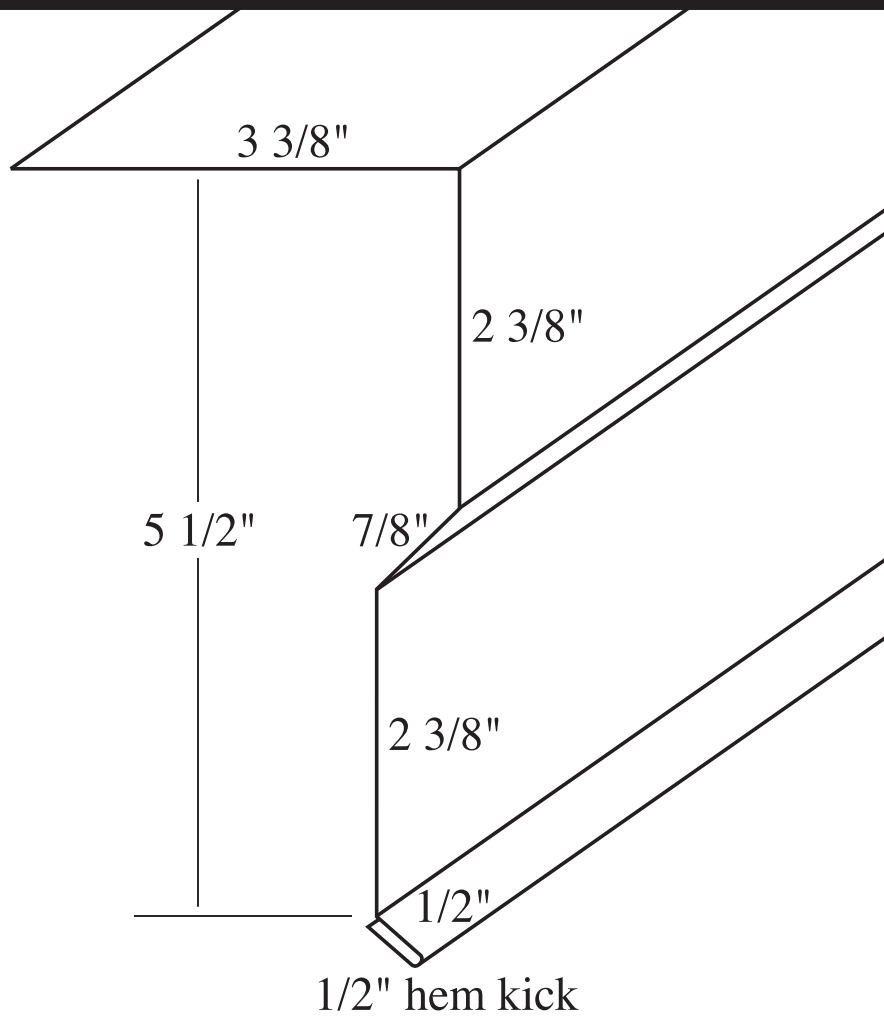
# 6" Mini Eave

1/2" hem kick

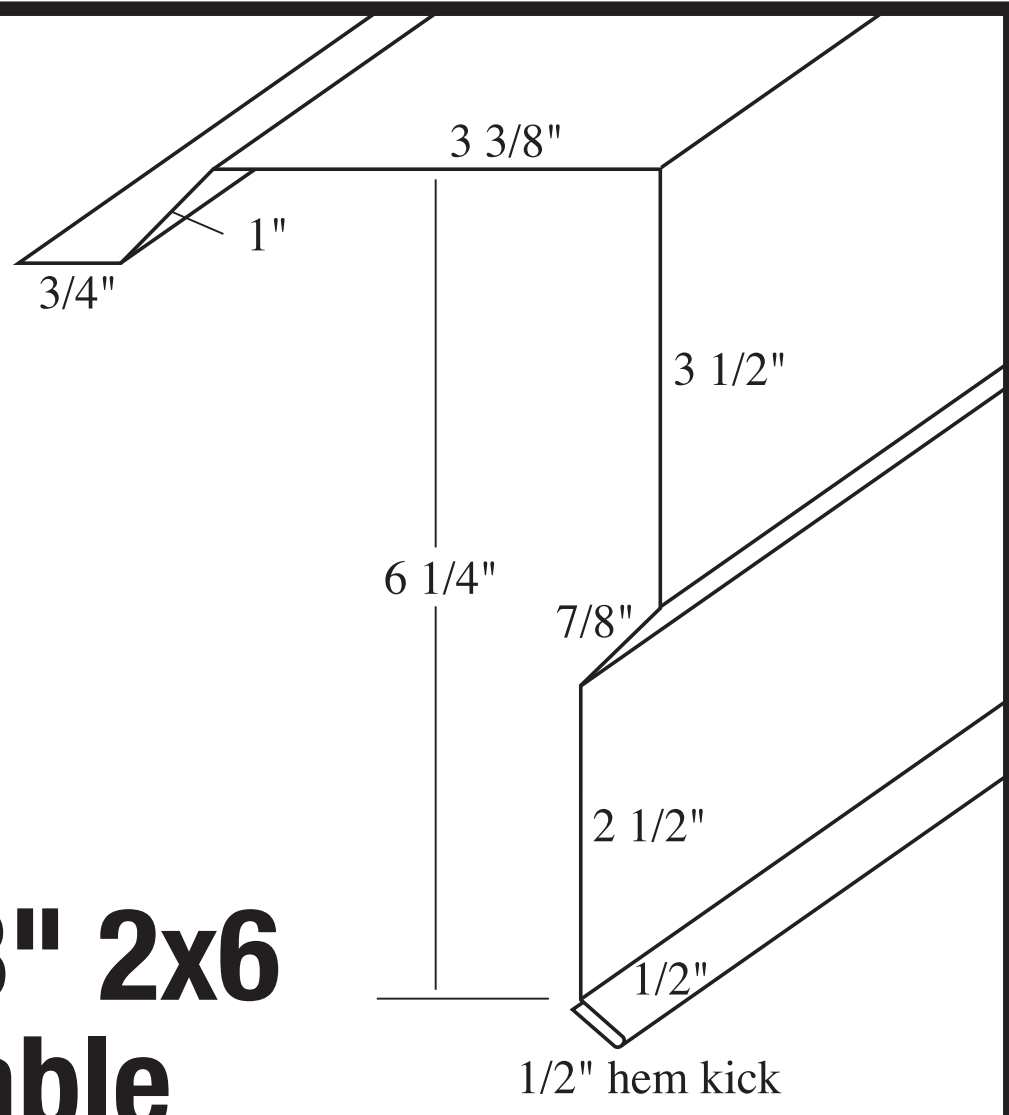


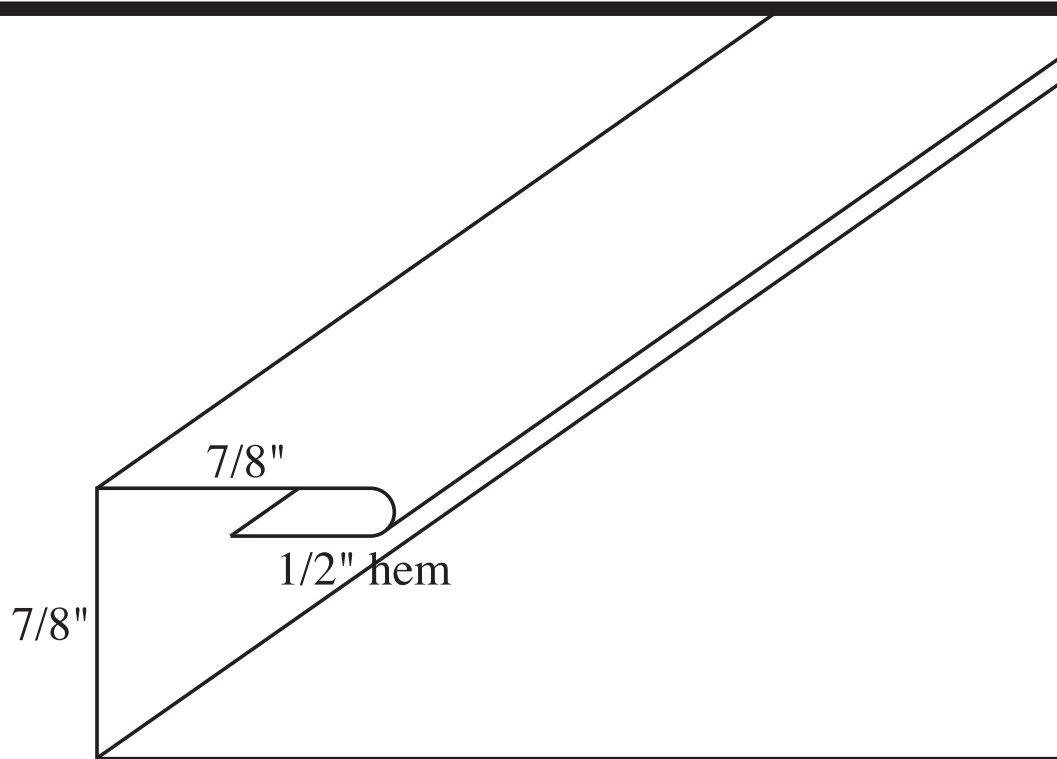
# 9" Mini Gable

# 10" 2x6 Eave

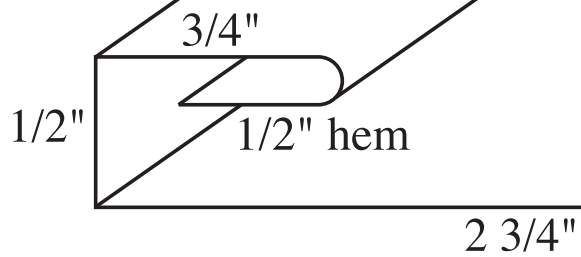


# 13" 2x6 Gable



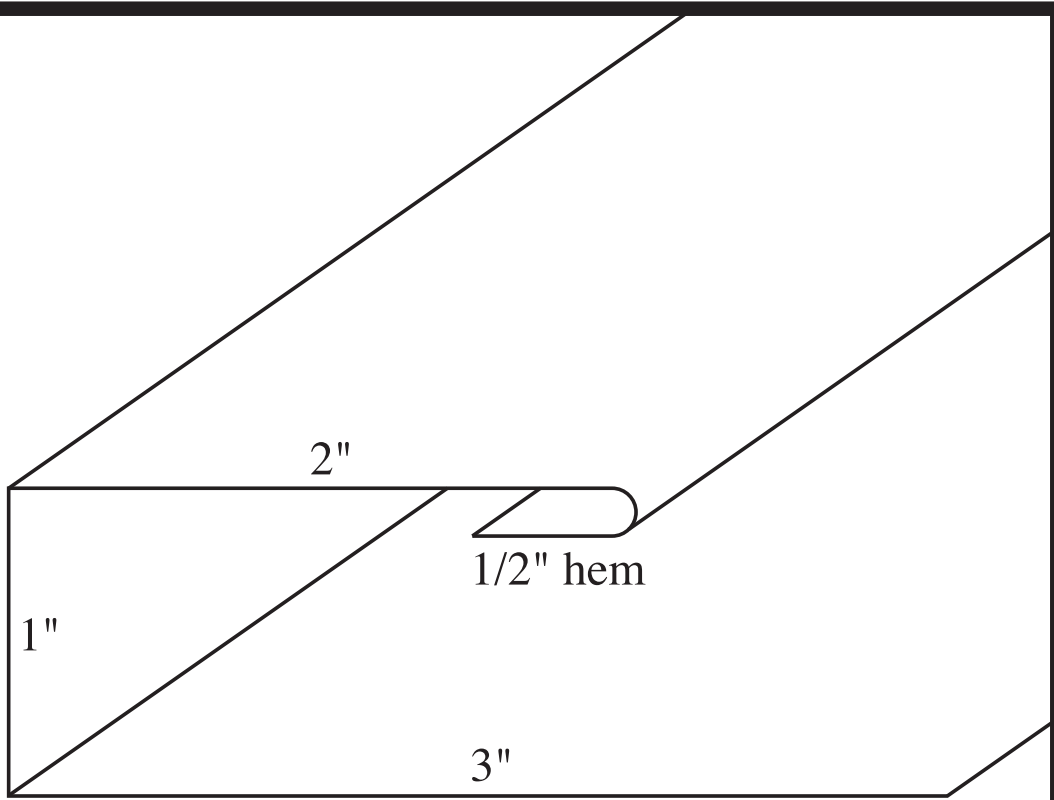


**5" Standard J Metal**



# 5" Soffit J Metal





**2" J Metal**



3"

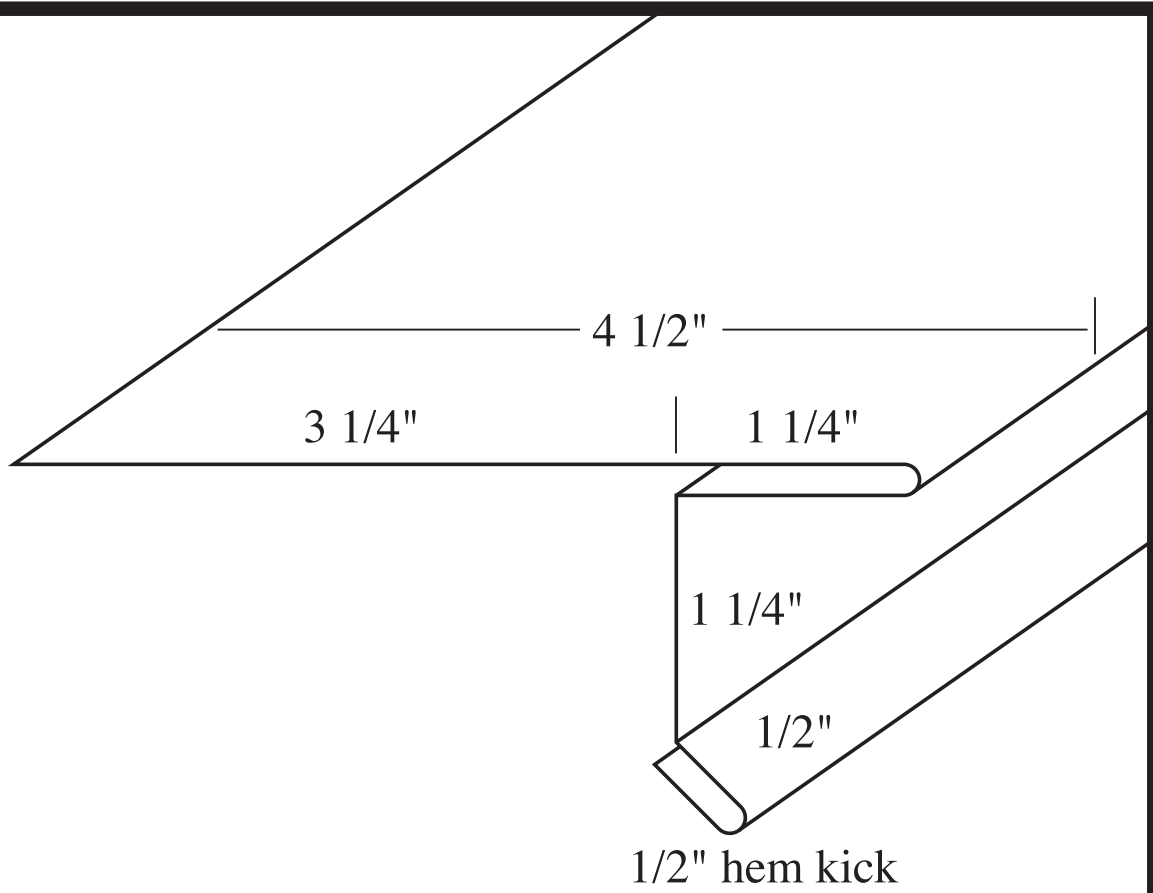
1"

1/2"

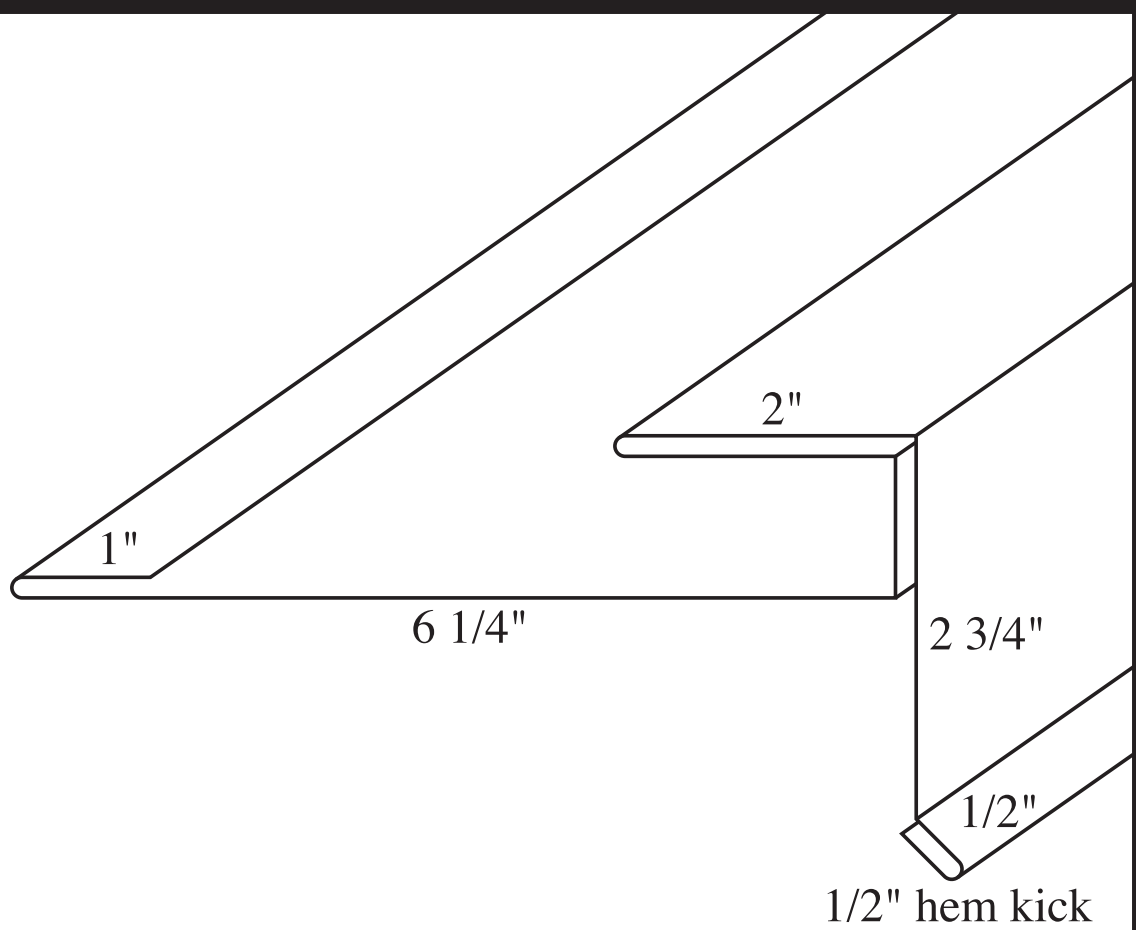
1/2" hem kick

**5"**

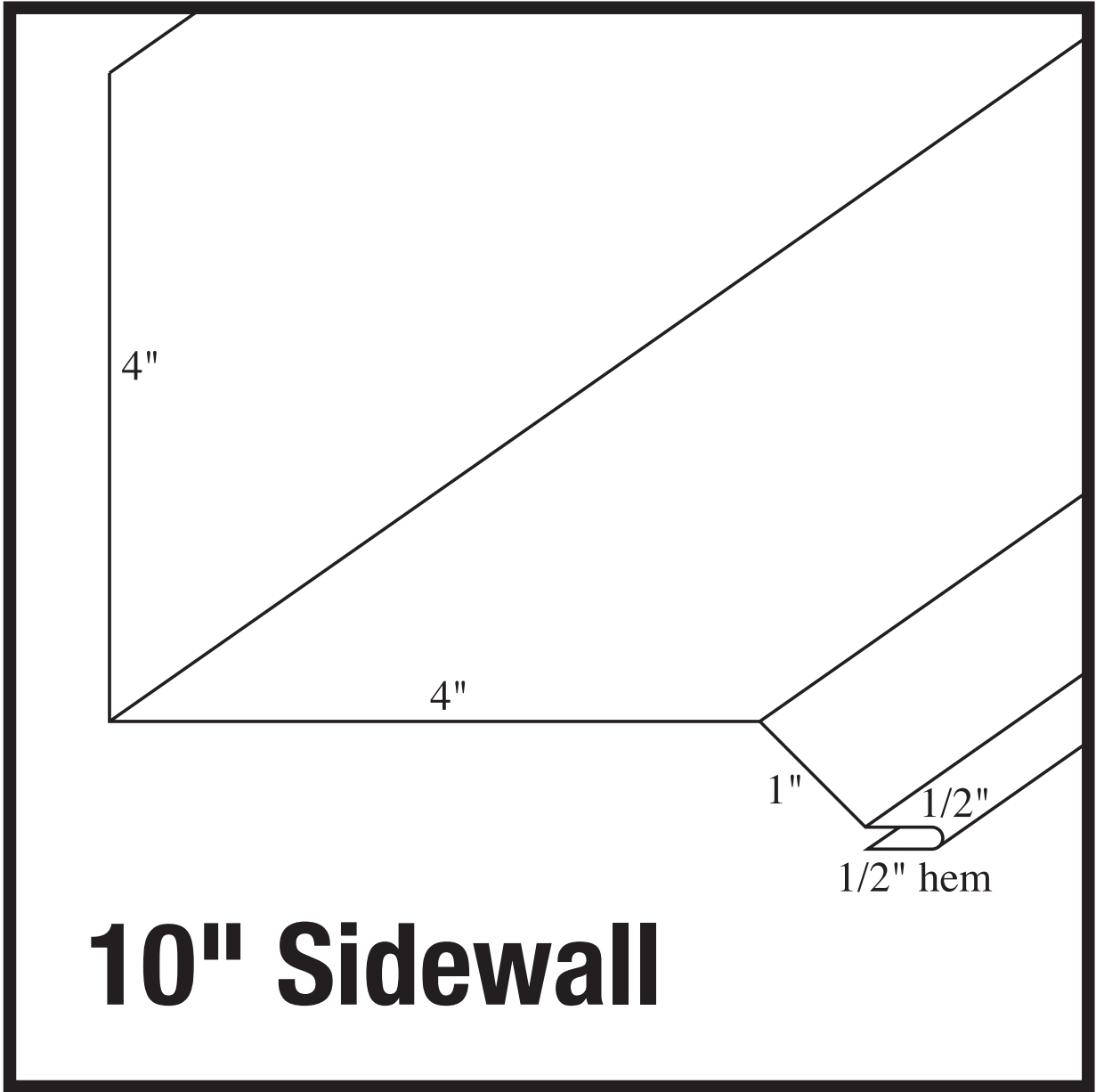
**Standard Base Metal**

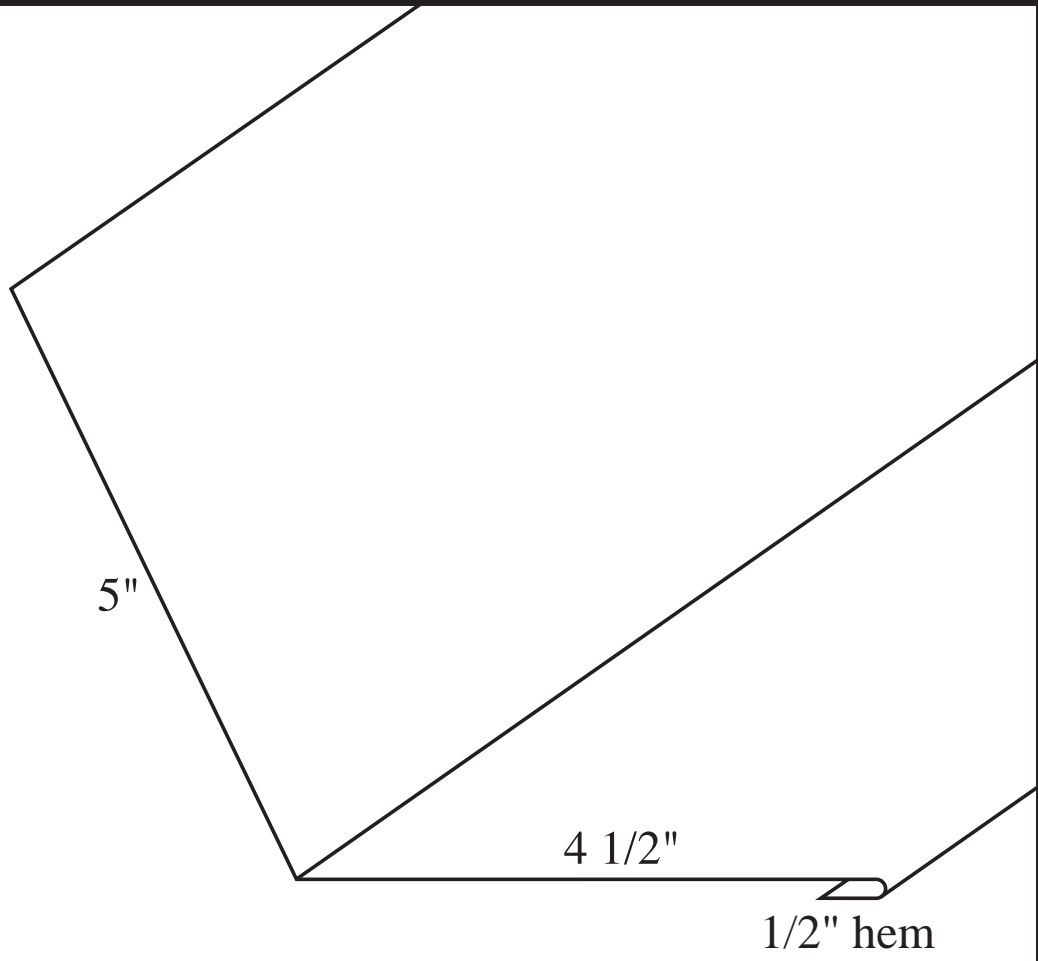


# 8" Style D Drip

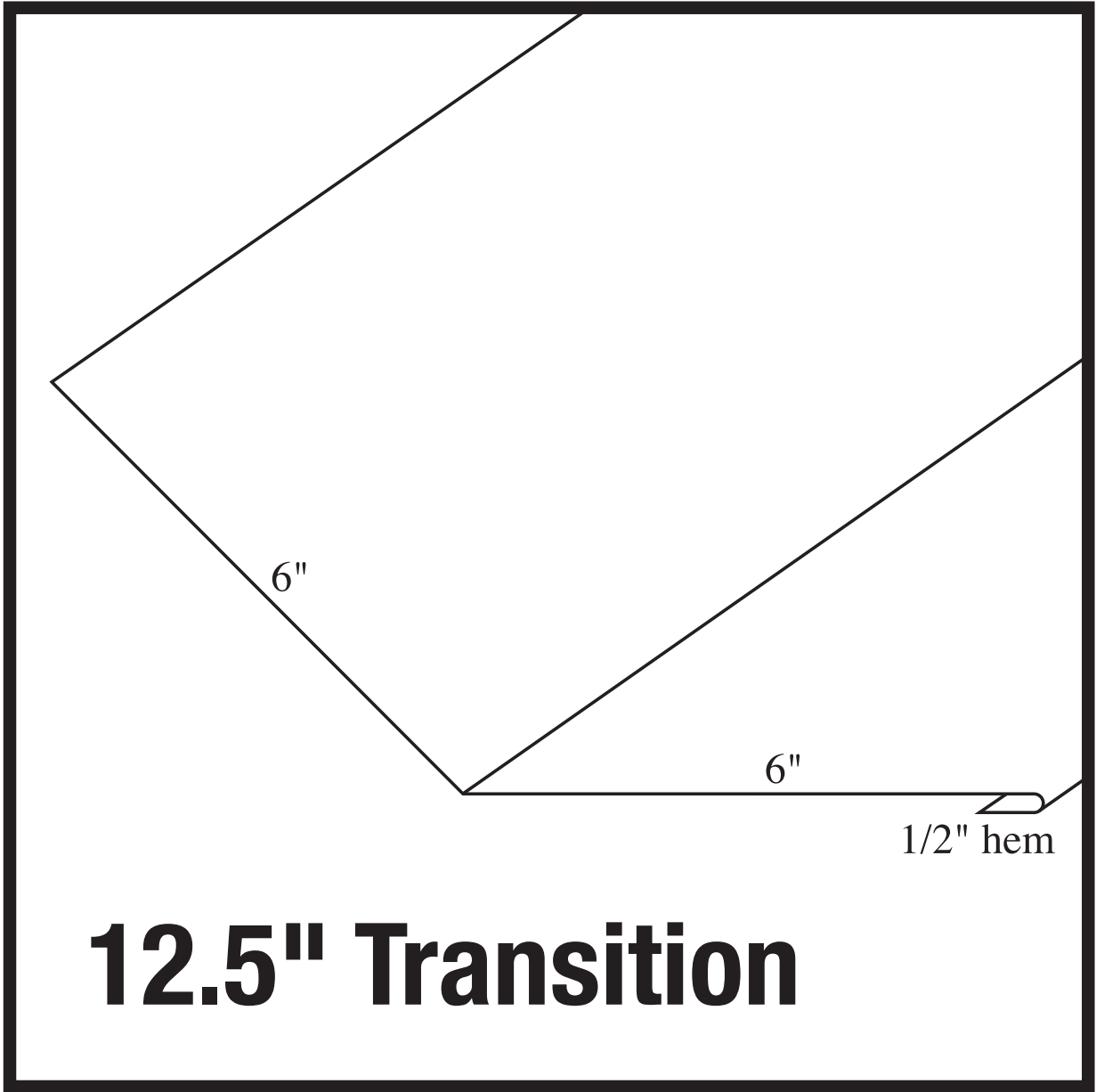


**16" C Gable**

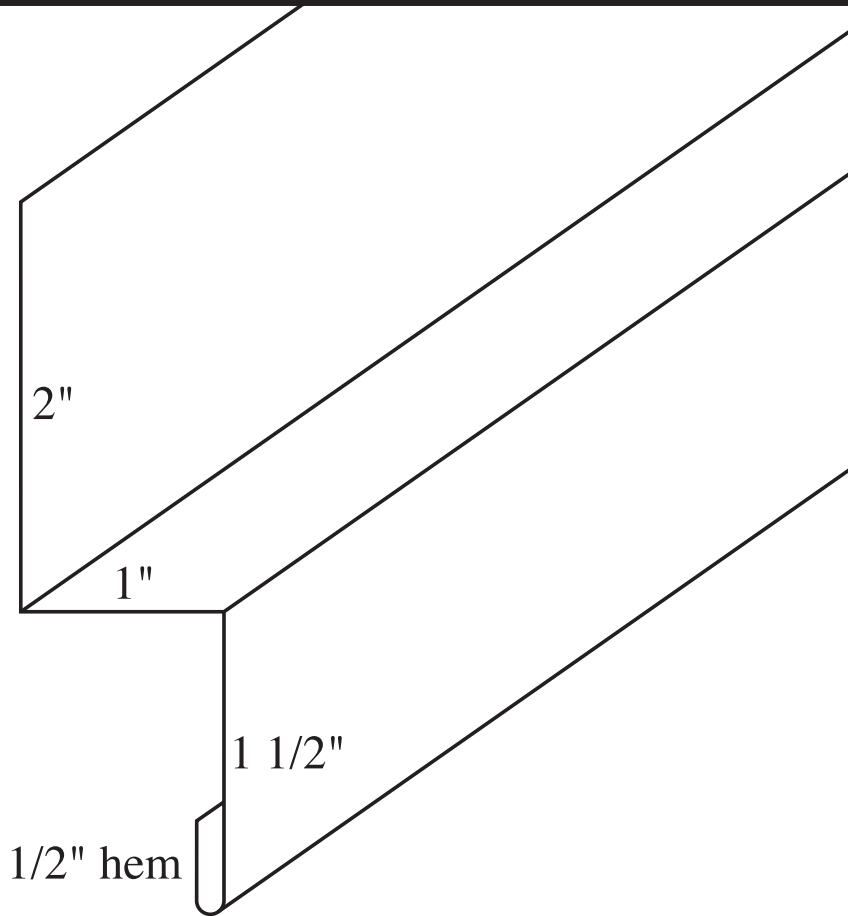




**10" Endwall**

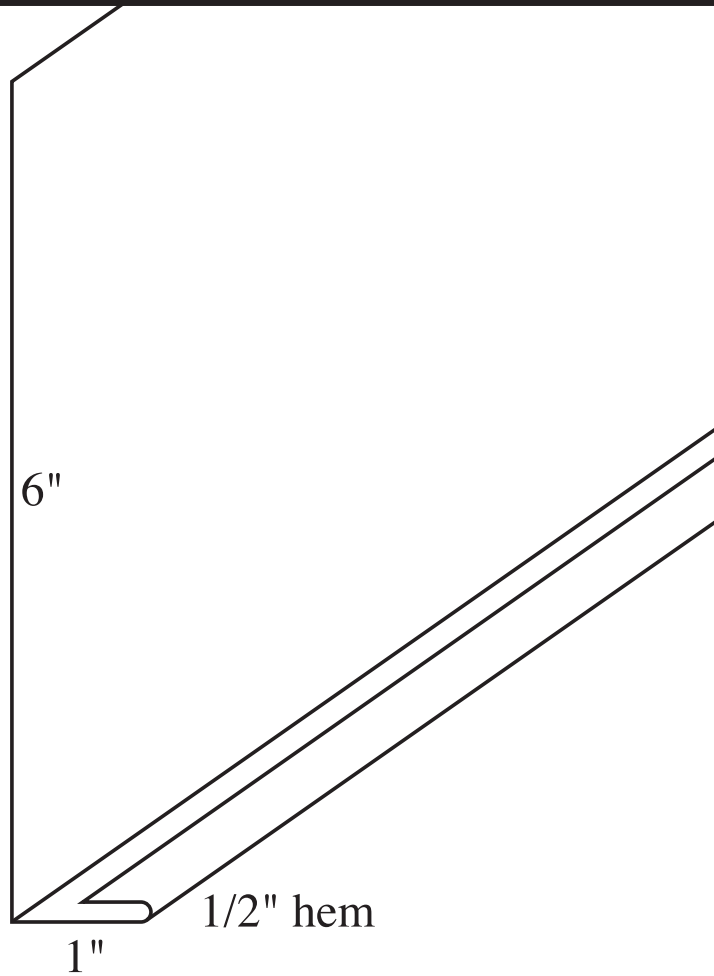


# 12.5" Transition

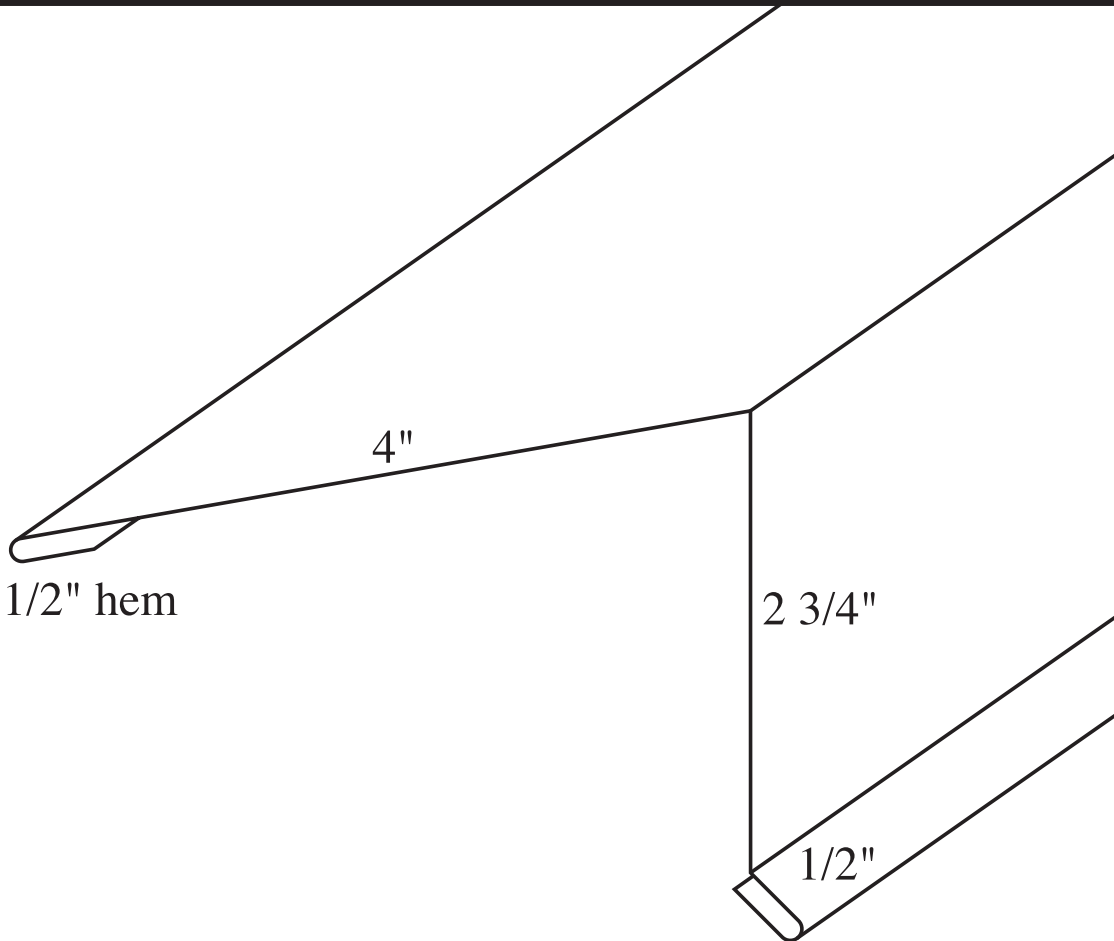


**5" Wall Metal**

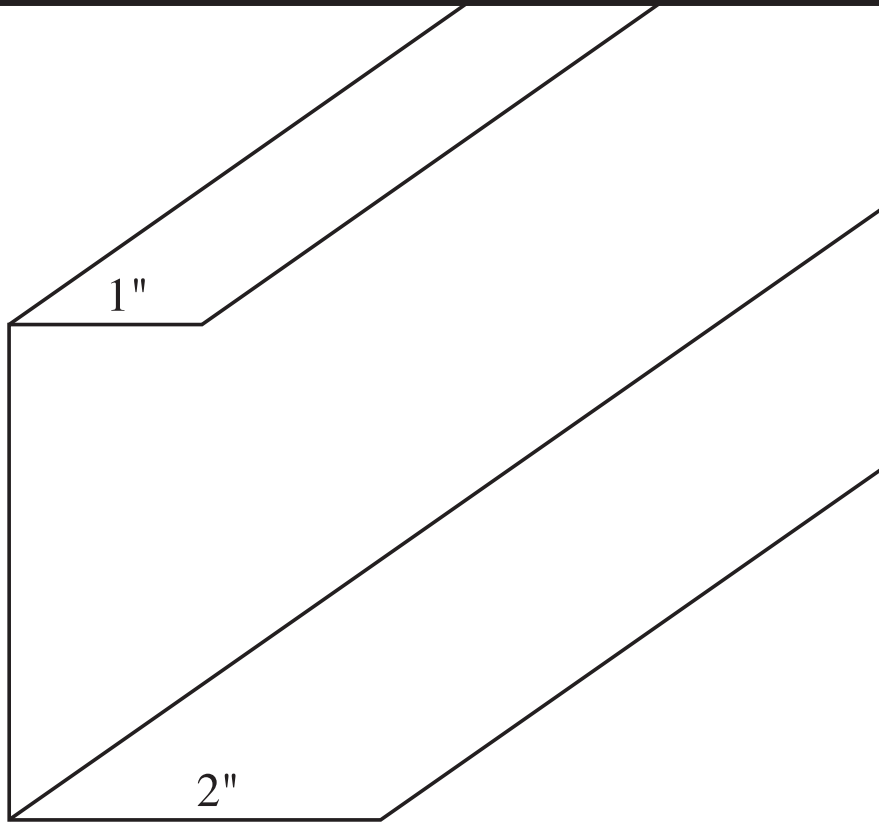




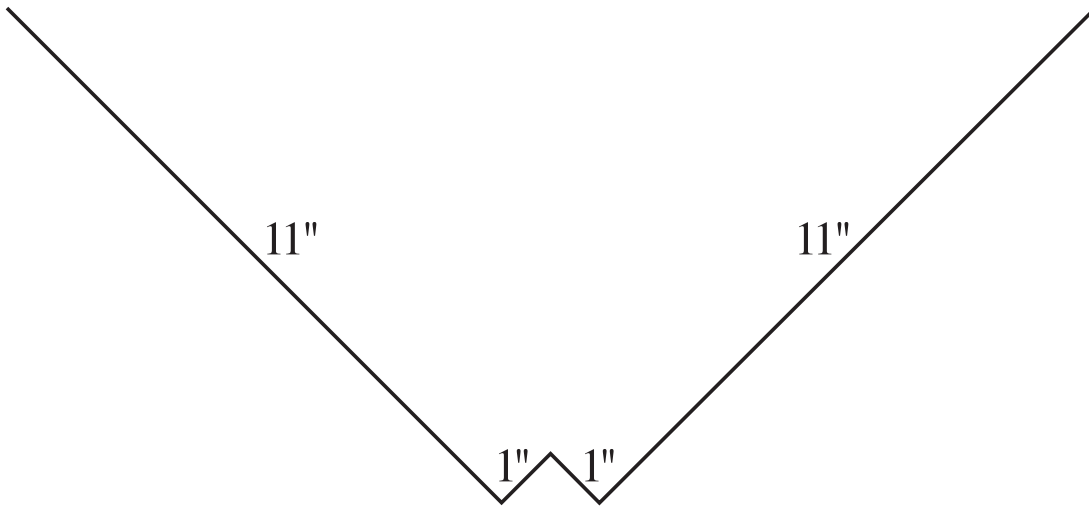
**7.5" Fascia Metal**



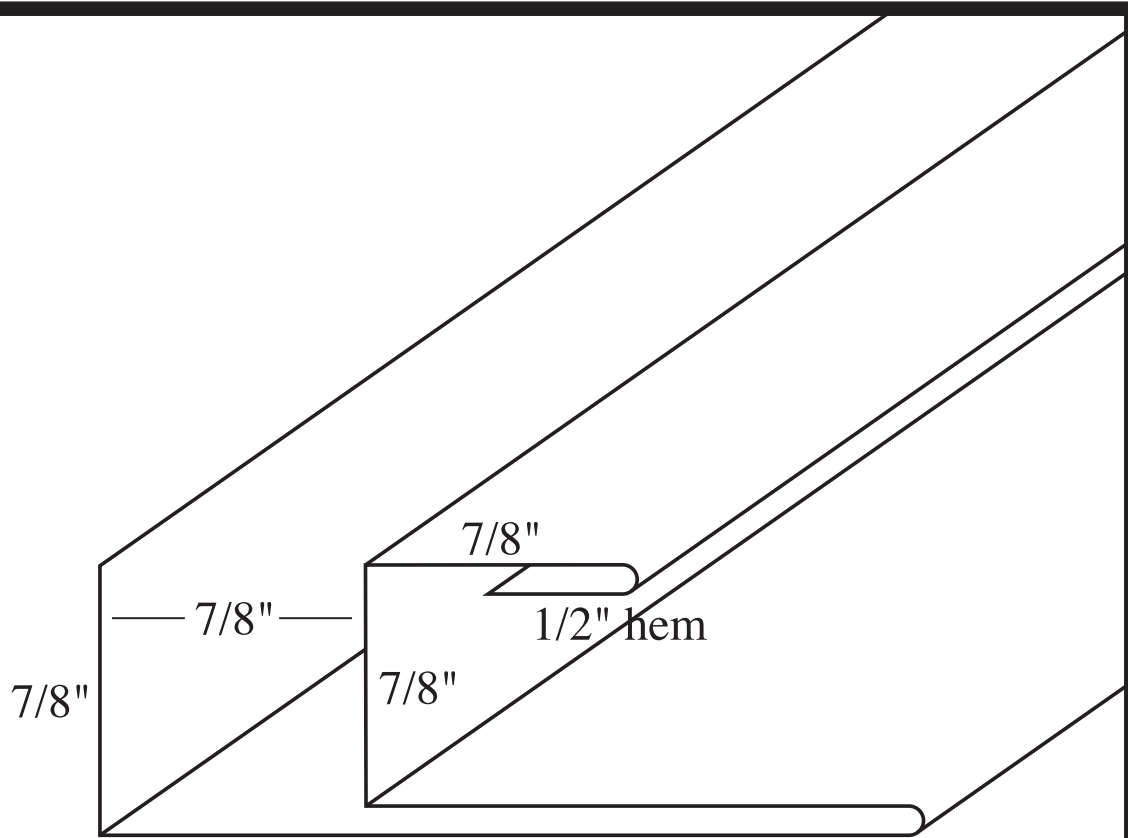
# 8" Top Cap



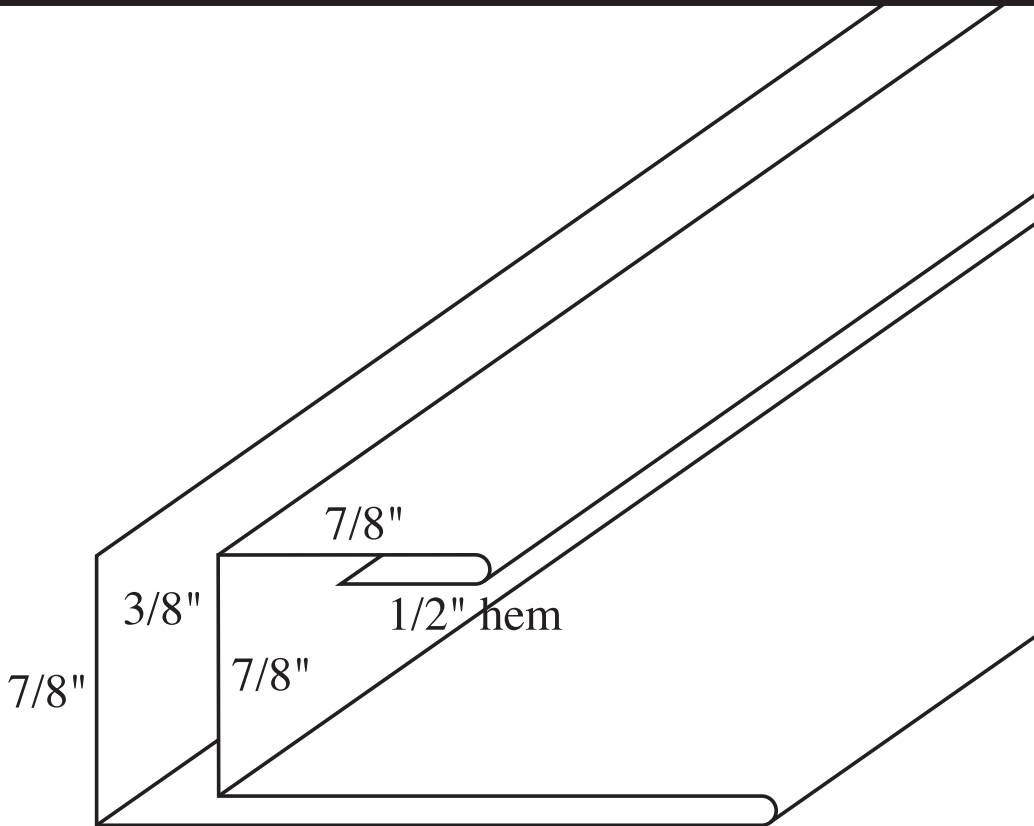
**Door Jamb**



**24" W-Valley**



**Standard F & J**



# 8" Soffit F & J